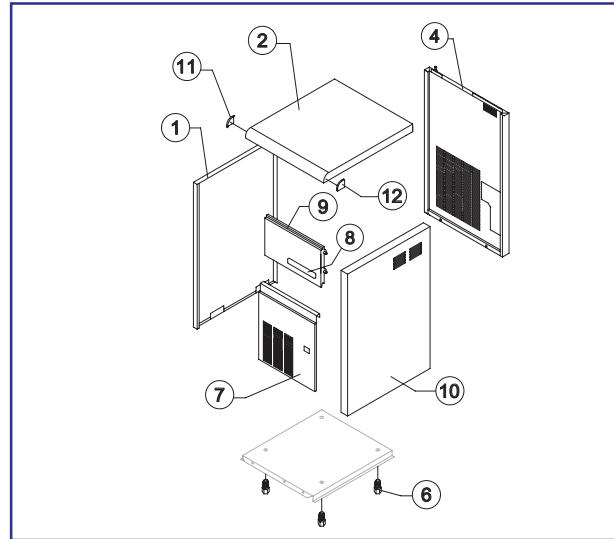


## LIST OF THE EXPLODED VIEWS

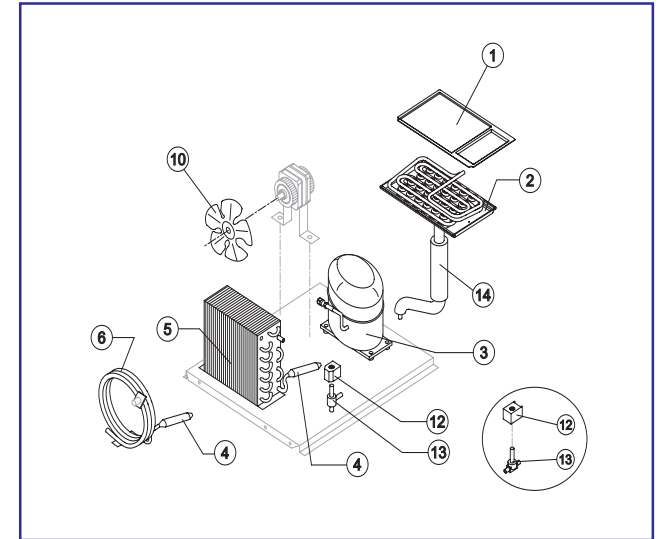
Rev. 16 - 12/03/2019



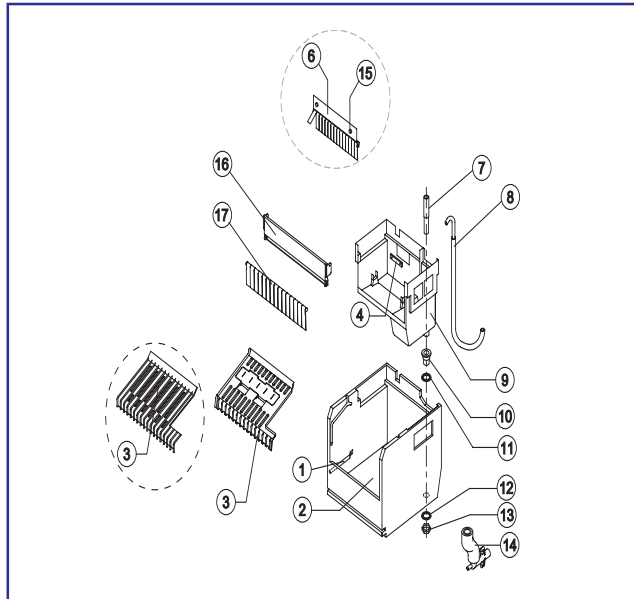
**SHELL ASSY**



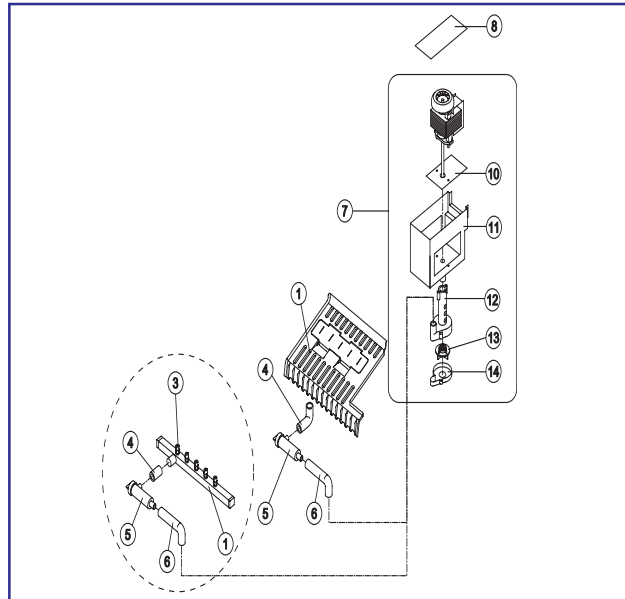
**COOLING SYSTEM**



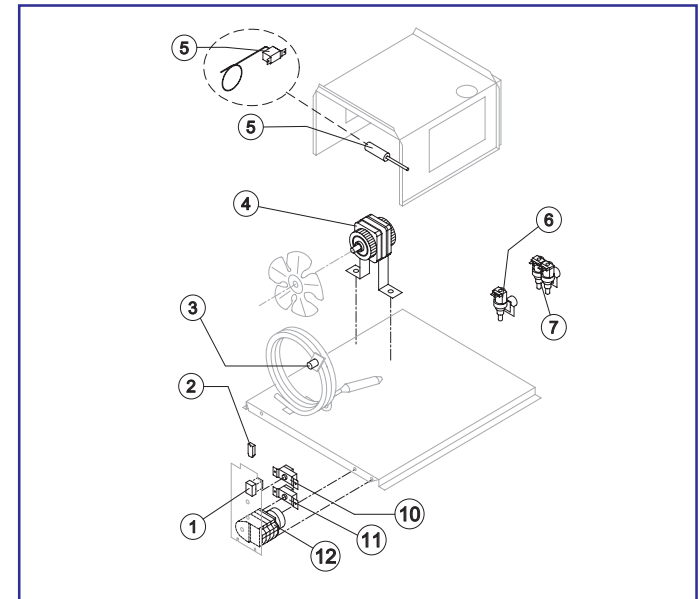
**HYDRAULIC CIRCUIT**

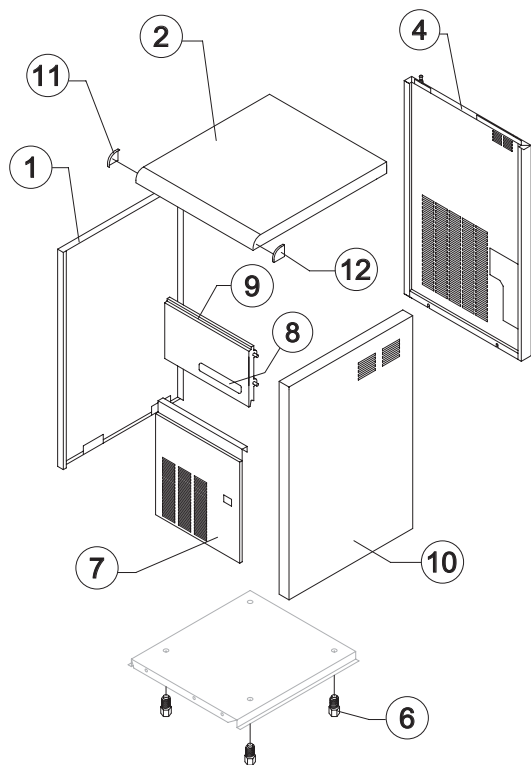


**SPRAYER PUMP**



**ELECTRIC PARTS**

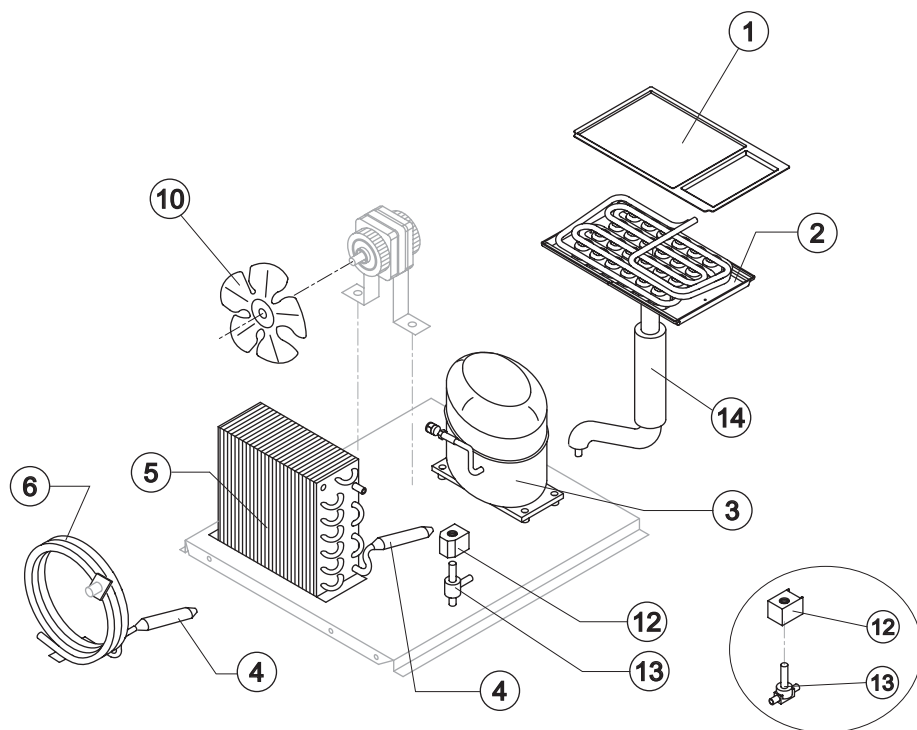




# SHELL ASSY

Ref.	Spare Description	Code	
1	Left Side Panel Assembly	22713	
2	Top Assembly	C22834GR	
4	Grey Rear Panel	21290	
6	Foot	10017	
7	Front Panel	Current Version	221070
7	Front Panel	Till s/n. 385216	22700
10	Right Side Panel Assembly	22712	
8	Resinate Logo	241330	
9	Door	10378	
11	Left Top Protection	10323GR	
12	Right Top Protection	10324GR	

# COOLING SYSTEM



Fino a Matr. 370994

## Common Parts

Ref.	Spare Description	Code
1	Evaporator Cover Panel	from s/n. 230067 10498
2	Evaporator Assy	D10079
3	Compressor	See Table
4*	Molecular Drier	14009
11	Bin Support Frame	21443
12*	Hot Gas Valve Coil	See Table
13*	Hot Gas Valve Body	Current Version 20853
13	Hot Gas Valve Body	Till s/n. 370994 20410
14	Suctin Line	for the spare parts code give us the s/n.

## Parts for Air-Cooled Version Only

Ref.	Spare Description	Code
5	Air Condenser	20094
10	Sucking Fan	20095

## Parts for Water-Cooled Version Only

Ref.	Spare Description	Code
6	Water Condenser	Current Version 14593
6	Water Condenser	Till s/n. 370994 14348
10	Sucking Fan	Till s/n. 370994 10213

### Ref. 3 -Compressor

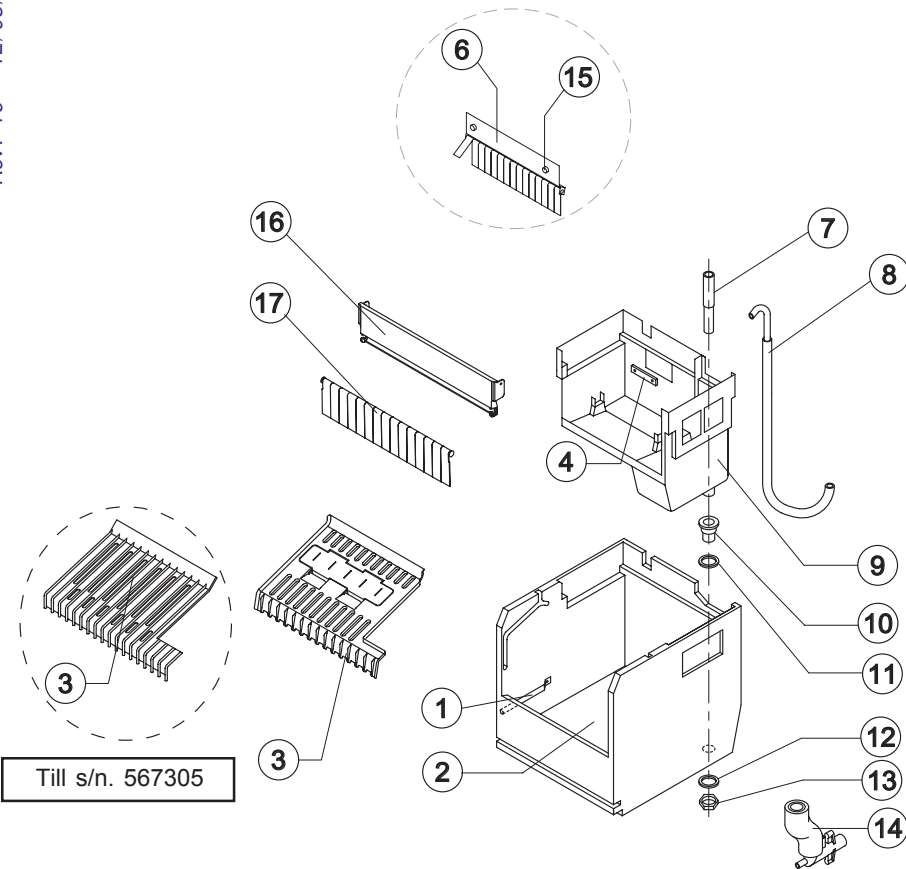
Tension	Code	
	Current Version	Till s/n. 416883
220/240V 50 Hz	23886	23436
220/230V 60 Hz	23494A	23494A
110/115V 60 Hz	231212	231212

### Ref. 12\* - Hot Gas Valve Coil

Tension	Code	
	Till s/n. 370994	Current Version
220/240V 50 Hz	231294	23854
220/230V 60 Hz	231294	23854
110/115V 60 Hz	23256	23855

# HYDRAULIC CIRCUIT

Rev. 16 - 12/03/2019



## Common Parts

Ref.	Spare Description	Code
1	Bulbe- holder pipe	20520
2	Foamed Bin	11016/E
3	Ice Cubes Slide	Current Version 10885
3	Ice Cubes Slide	Till s/n. 567305 K10626
4	Slide Keep Plate	10142
6	Panel with Flags	Till s/n. 380376 K10532
7*	Overflow Pipe	13028
8*	Evaporator Feeding Pipe Assy	C13126
9	Inner Basin	10064
10	Water Outlet Nipple	10472
11	Silicone Gasket	13219
12	Semirigid Polyethylene Gasket	13007
13	Bin Discharge Nut	10096
15	Fixing Screw	Till s/n. 380376 20009
16	Flags ABS Support	Current Version 10530
17	Flags with Rod	Current Version 10532

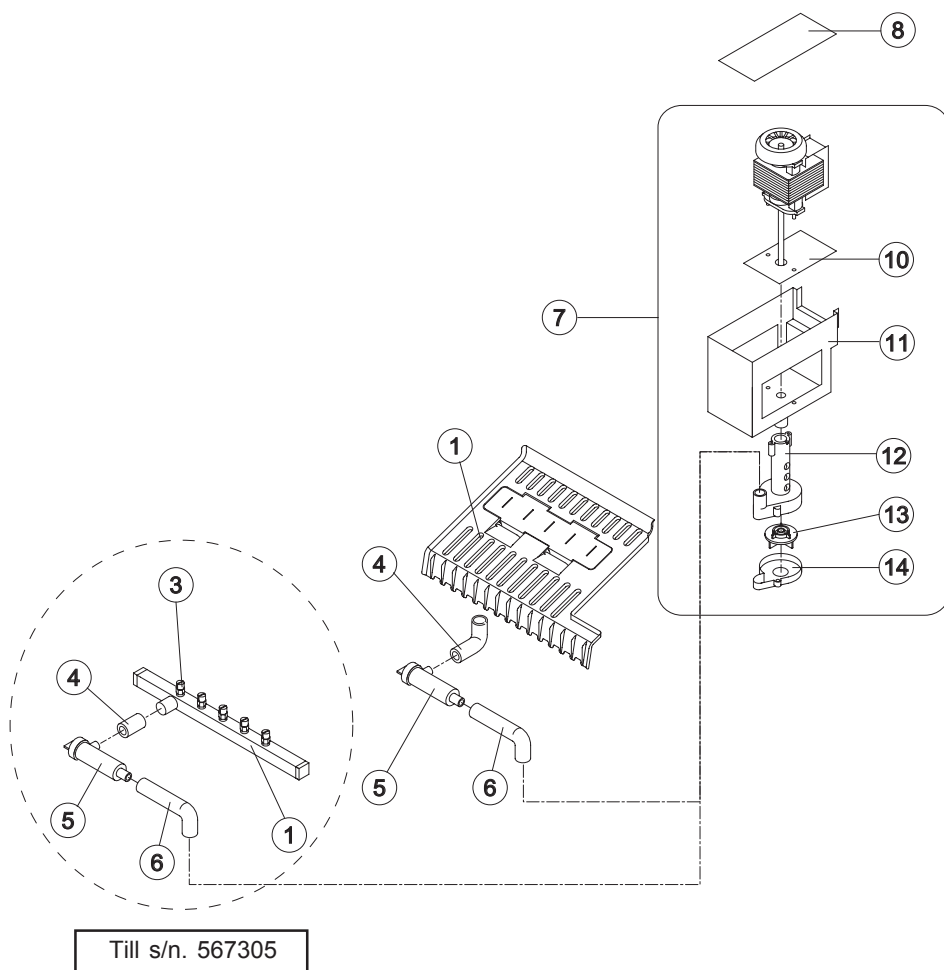
## Parts for Air-Cooled Version Only

Ref.	Spare Description	Code
14	Discharges Manifold	C10006

## Parts for Water-Cooled Version Only

Ref.	Spare Description	Code
14	Discharges Manifold	C26452

# SPRAYER PUMP



Ref.	Spare Description		Code
1*	Sprayers Bar Assembly	Current Version	10885
1*	Sprayers Bar Assembly	Till s/n. 567305	K10626
3	Sprayers	Till s/n. 567305	D20002
4	Filter-Sprayers Bar Connection Pipe	Current Version	13005
4	Filter-Sprayers Bar Connection Pipe	Till s/n. 567305	13056
5*	Pump Filter		10139
6	Pump-Filter Connection Pipe		13055
7*	Pump Assy		See Table
8	Pump Cover		10647
10	Heat Dissipator		22430
11	Pump Motor Box		10073
12	Pump Body		10065
13	Pump Impeller		10066
14	Diffusor		10067

### Ref. 7\* - Pump Assy

Tension	Code	
	Current Version	Till s/n. 416883
220/240V 50 Hz	RC23858	RC23076
220/230V 60 Hz	C23892	C23270
110/115V 60 Hz	C23893	C23271

# ELECTRIC PARTS

## Common Parts

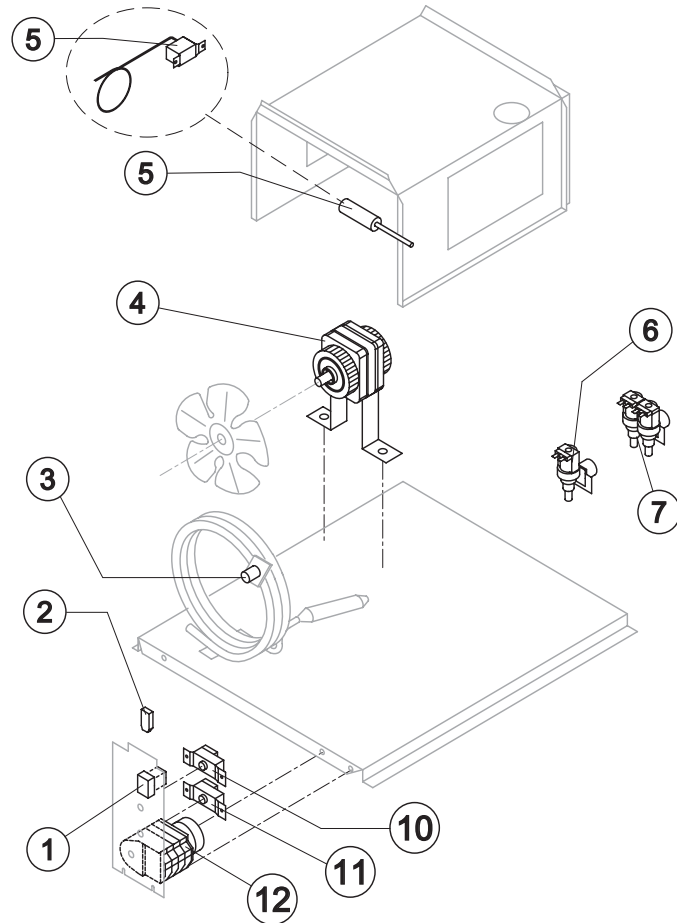
Ref.	Spare Description	Code
1*	Green Light Switch (On-Off)	Current Version
1	Green Light Switch (On-Off)	Till s/n. 385216
10*	Bin Thermostat	R23005
11*	Evaporator Thermostat	R23591
12*	Timer	See Table

## Parts for Air-Cooled Version Only

Ref.	Spare Description	Code
4*	Fan Motor	See Table
6*	1 Way- Water Inlet Valve	See Table

## Parts for Water-Cooled Version Only

Ref.	Spare Description	Code
2	Anti Radio Interference Filter	Only 220V 50 Hz
3*	Safety Thermostat	C23114
4	Fan Motor	Till s/n. 370994
5*	Condenser Pressure Switch	Current Version
5	Condenser Pressure Switch	Till s/n. 447841
7*	2 Ways- Water Inlet Valve	See Table



### Ref. 4\* - Fan Motor

Tension	Code
220/240V 50 Hz	23029
220/230V 60 Hz	23029
110/115V 60 Hz	23683

### Ref. 6\* - 1 Way- Water Inlet Valve

Tension	Code
220/240V 50 Hz	23497
220/230V 60 Hz	23497
110/115V 60 Hz	23499

### Ref. 7\* - 2 Ways- Water Inlet Valve

Tension	Code
220/240V 50 Hz	23498
220/230V 60 Hz	23498
110/115V 60 Hz	23500

### Ref. 12\* - Timer

Tension	Code
220/240V 50 Hz	23247
220/230V 60 Hz	231077
110/115V 60 Hz	23258