



LIST OF THE EXPLODED VIEWS



SHELL ASSY SL 280A / SL 280W

SHELL ASSY SL 280A DP

COOLING SYSTEM

HYDRAULIC CIRCUIT SL 280A / SL 280W

HYDRAULIC CIRCUIT SL 280A DP

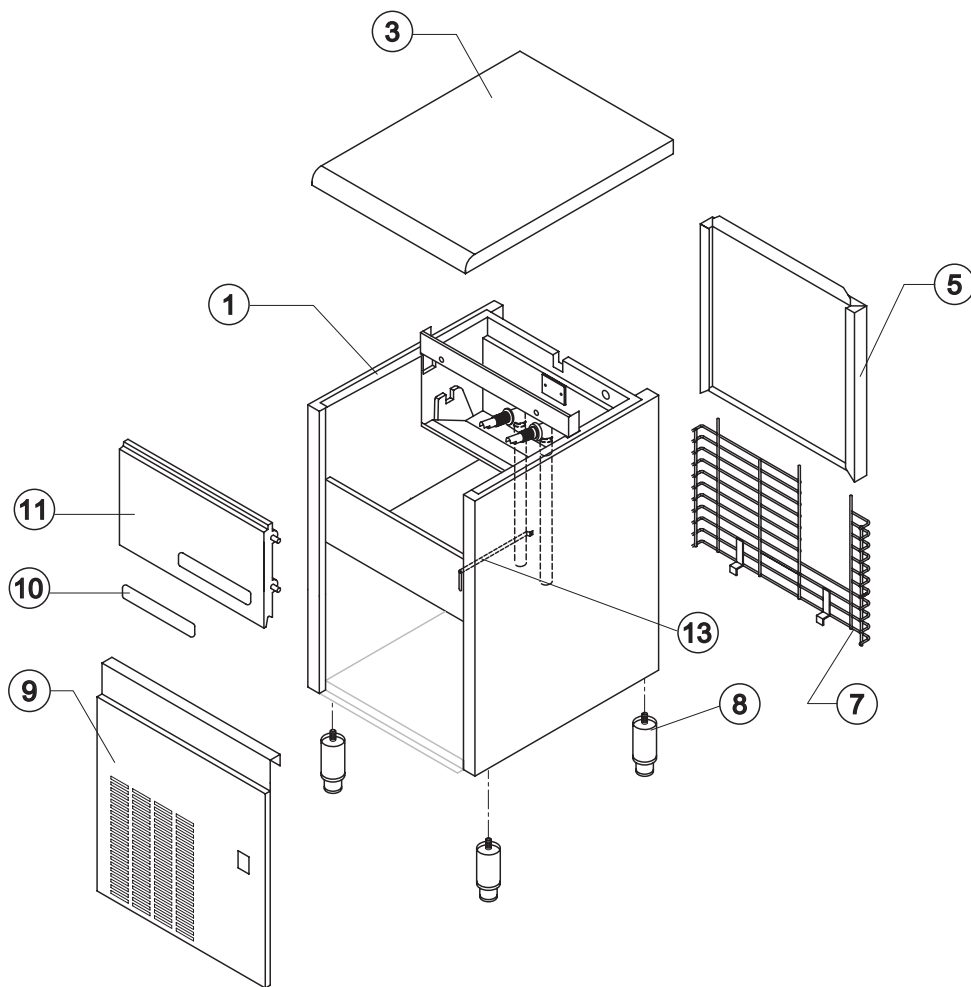
ELECTRIC PARTS



SHELL ASSY

SL 280A / SL 280W

Rev. 11 - 12/03/2019



Ref.	Spare Description	Code
1	Foamed Cabinet Assy	See Table
3	Top Assembly	C22549
5	Rear Panel Assembly	C21209
7	Rear Grid	D12021
8	Adjustable Stainless Steel Foot	20613
9	Front Grid Panel	22710
10	Resinate Logo	241330
11	Door Assy	C10362
13	Bulbe-holder Pipe	20521

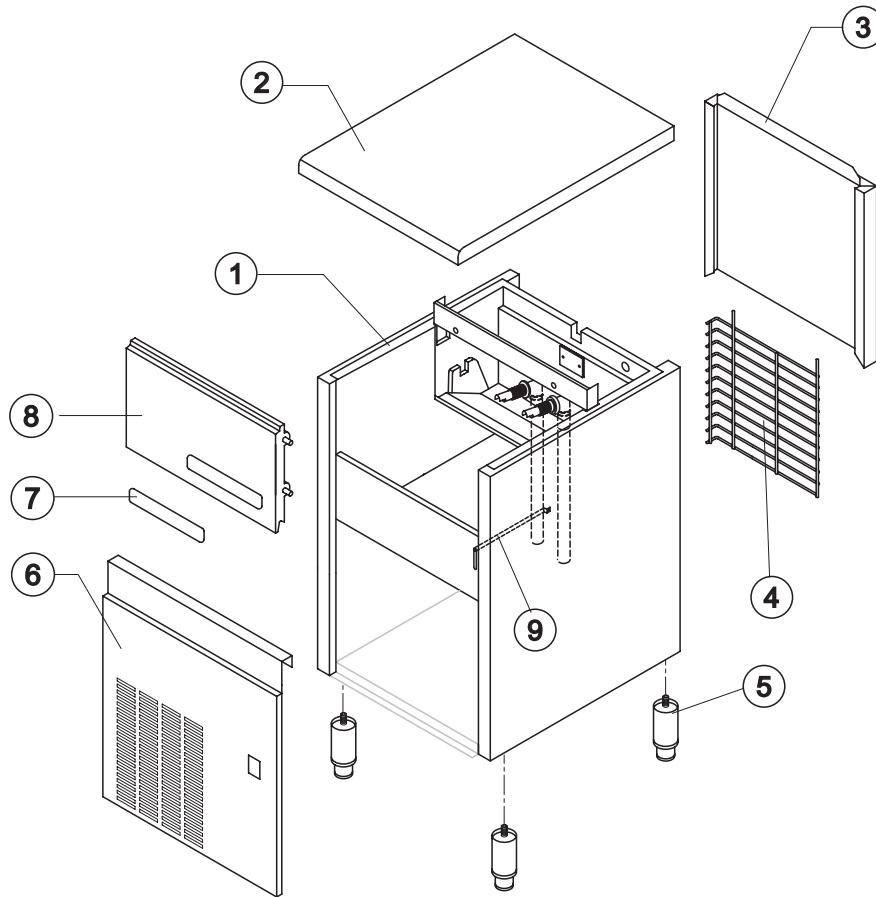
Ref. 1 - Foamed Cabinet Assy

Condensation	Code
Air	C11086A
Water	C11086W



SHELL ASSY

SL 280A DP



Ref.	Spare Description	Code
1	Foamed Cabinet Assy	C11086DP
2	Top Assembly	C22549
3	Rear Panel Assembly	C21209
4	Rear Grid	D12103
5	Adjustable Stainless Steel Foot	20613
6	Front Grid Panel	22710
7	Resinate Logo	241330
8	Door Assy	C10362
9	Bulbe-holder Pipe	20521



COOLING SYSTEM

SL 280A / SL 280W / SL 280A DP

Common Parts

Ref.	Spare Description	Code
5	Sucking Fan	10213
6	Fan Fixing Hub	10014
7	Evaporator Cover Panel	10450
8	Evaporator	See Table
9*	Solid Core Drier	14089
10	Compressor	See Table
14*	Hot Gas Valve Coil	See Table
15*	Hot Gas Valve Body	20409
16	Suctin Line	for the spare parts code give us the s/n.

Parts for Air-Cooled Version Only

Ref.	Spare Description	Code
1	Air Condenser	20264
3	Air Condenser Conveyor	10163
4	Sucking Fan	20031

Parts for Water-Cooled Version Only

Ref.	Spare Description	Code
2	Water Condenser	14034

Ref. 8 - Evaporator

Kind of Cube	Code
18 g. (Standard)	D10214
33 g.	D10092
13 g.	D10126
42 g.	D10477
60 g.	D10555

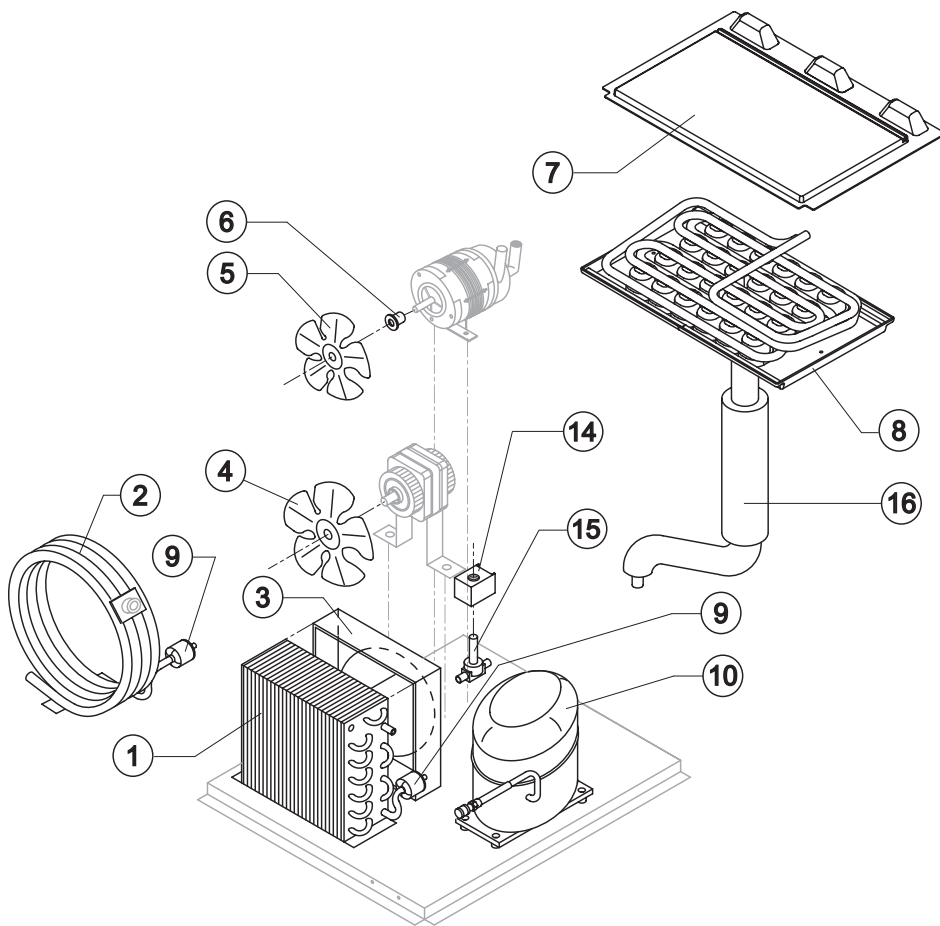
Ref. 10 - Compressor

Voltage	Code
220/240V 50Hz	231199
220/230V 60Hz	231197
110/115V 60Hz	231198

Ref. 14* - Hot Gas Valve Coil

Voltage	Code
220/240V 50Hz	231294
220/230V 60Hz	231294
110/115V 60Hz	23256

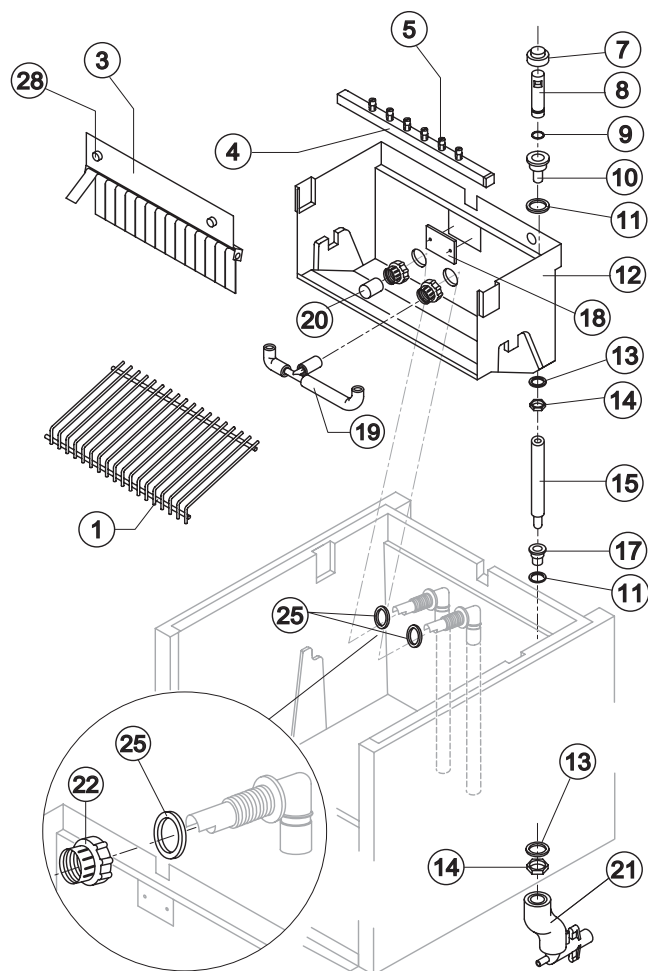
Rev. 11 - 12/03/2019





HYDRAULIC CIRCUIT

SL 280A / SL 280W



Common Parts

Ref.	Spare Description	Code
1	Ice Cubes Slide	See Table
3	Flags Support Assy	C22134
4*	Sprayers Bar Assembly	See Table
5	Sprayer	D20002
7*	Overflow Cap	10305
8*	Overflow Pipe	10133
9*	OR Gasket for Overflow Pipe	20233
10	Overflow Pipe Nipple	10471
11	Silicone Gasket	13219
12	Inner Basin	10759
13	Semirigid Polyethylene Gasket	13007
14	Bin Discharge Nut	10096
15*	Overflow Pipe Assembly	13155
17	Water Outlet Nipple	10472
18	Slide Keep Plate	Till s/n. 233769
19	Sprayers Bar Pipe Connection Assy	C13036
20*	Pump Suction Filter	20005
22	Fitting Locking Ring	10405
25	Gasket for Pump Suction/Delivery Pipes	13220
28	Fixing Screw	20009

Rev. 11 - 12/03/2019

Ref. 1 - Ice Cube Slide

Kind of Cube	Code
18 g. (Standard)	D12022
33 g.	D12033
13 g.	D12040
42 g.	D12033
60 g.	D12084

Ref. 4* - Sprayers Bar Ass.

Kind of Cube	Code
18 g. (Standard)	C20144
33 g.	C20157
13 g.	C20200
42 g.	C20157
60 g.	C20941

Parts for Air-Cooled Version Only

Ref.	Spare Description	Code
21	Discharges Manifold	C10006

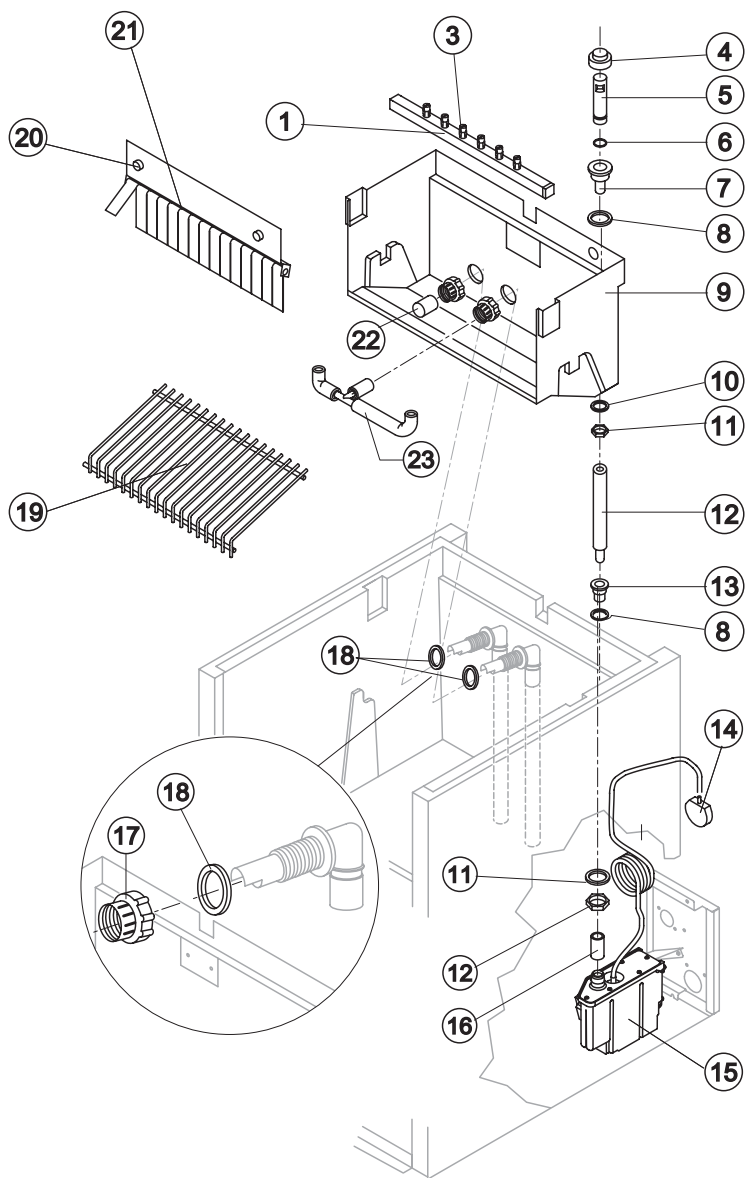
Parts for Water-Cooled Version Only

Ref.	Spare Description	Code
21	Discharges Manifold	C26452



HYDRAULIC CIRCUIT

SL 280A DP



Common Parts

Ref.	Spare Description	Code
1*	Sprayers Bar Assembly	See Table
3	Sprayer	D20002
4*	Overflow Cap	10305
5*	Overflow Pipe	10133
6*	OR Gasket for Overflow Pipe	20233
7	Overflow Pipe Nipple	10471
8	Silicone Gasket	13219
9	Inner Basin	10759
10	Semirigid Polyethylene Gasket	13007
11	Bin Discharge Nut	10096
12*	Overflow Pipe Assembly	13155
13	Water Outlet Nipple	10472
14	Drain Pump Pressure Switch	C231230
15	Drain Pump	RC231225
16	Bin Discharge-Drain Pump Connection	C13175200
17	Fitting Locking Ring	10405
18	Gasket for Pump Suction/Delivery Pipes	13220
19	Ice Cubes Slide	See Table
20	Flags Support Assy	C22134
21	Fixing Screw	20009
22*	Pump Suction Filter	20005
23	Sprayers Bar Pipe Connection Assy	C13036

Ref. 1 - Sprayers Bar Ass.

Kind of Cube	Code
18 g. (Standard)	C20144
13 g.	C20200

Ref. 19 - Ice Cube Slide

Kind of Cube	Code
18 g. (Standard)	D12022
13 g.	D12040



ELECTRIC PARTS

SL 280A / SL 280W / SL 280A DP

Common Parts

Ref.	Spare Description	Code
1*	Pump Assy	See Table
7	Contactar	Only T13 23595
8*	Condenser Pressure Switch	23175
9*	Bin Thermostat	R23005
10*	Evaporator Thermostat	R23591
11*	Timer	See Table
12*	Green Light Switch (On-Off)	23327

Parts for Air-Cooled Version Only

Ref.	Spare Description	Code
2*	Fan Motor	See Table
6*	1 Way- Water Inlet Valve	See Table
13	Anti Radio Interference Filter	Only 220V/50-60Hz C23459

Parts for Water-Cooled Version Only

Ref.	Spare Description	Code
5*	2 Ways- Water Inlet Valve	See Table
13	Anti Radio Interference Filter	Only 220V/50-60Hz C23457
14*	Safety Thermostat	C23114

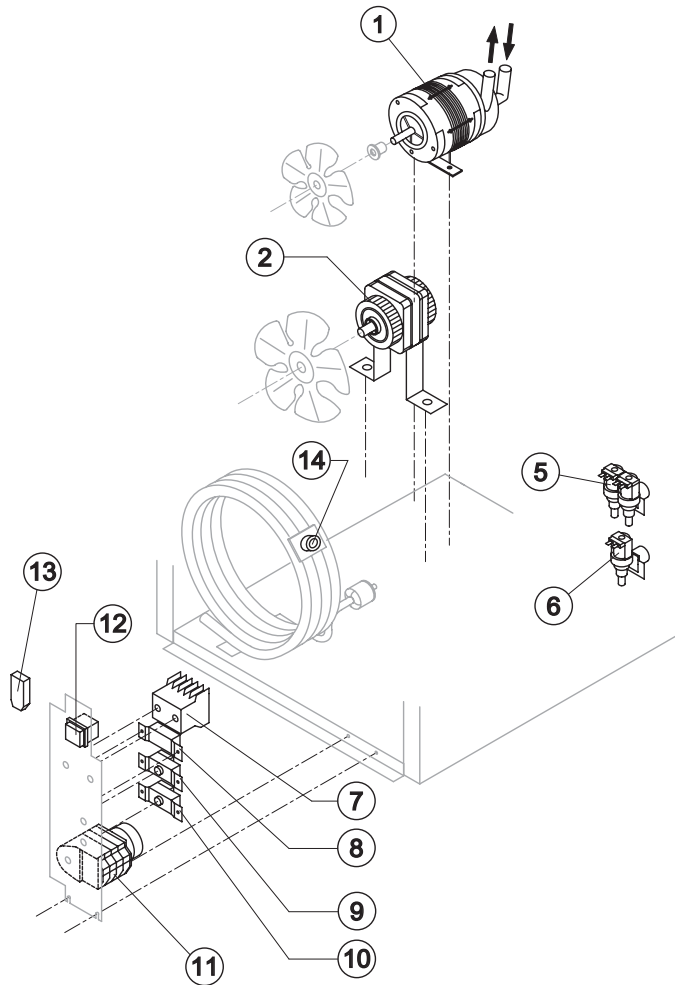
Ref. 1* - Pump Assy

Voltage	Code
220/240V 50Hz	RC23462
220/230V 60Hz	RC23462
110/115V 60Hz	RC23663

Ref. 2* - Fan motor

Voltage	Code
220/240V 50Hz	23067
220/230V 60Hz	23681
110/115V 60Hz	23621

Rev. 11 - 12/03/2019



Ref. 5* - 2 Ways- Water inlet

Voltage	18g/13g Cube	33g/42g/60g Cube
220/240V 50Hz	23157	23157
220/230V 60Hz	23157	23157
110/115V 60Hz	23788	23788

Ref. 6* - 1 Way - Water Inlet valve

Voltage	18g/13g Cube	33g Cube	42g/60g Cube
220/240V 50Hz	23220	23220	23787
220/230V 60Hz	23220	23787	23787
110/115V 60Hz	23281	23789	23789

Ref. 11* - Timer

Voltage	18g Cube	33g Cube	13g Cube	42g Cube	60g Cube
220/240V 50Hz	23222	23248	23247	23780	23922
220/230V 60Hz	231078	231080	231077	231080	23922
110/115V 60Hz	23833	23259	23258	23259	TBD